
III. Funktionale Programmierung

- 1. Prinzipien der funktionalen Programmierung
- 2. Deklarationen
- 3. Ausdrücke
- 4. Muster (Patterns)
- 5. Typen und Datenstrukturen
- 6. Funktionale Programmieretechniken

Pattern Matching

```
und :: Bool -> Bool -> Bool
und True y = y
und x y = False
```

Bool = "True" | "False"

```
len :: [Int] -> Int
len [] = 0
len (x : xs) = 1 + len xs
```

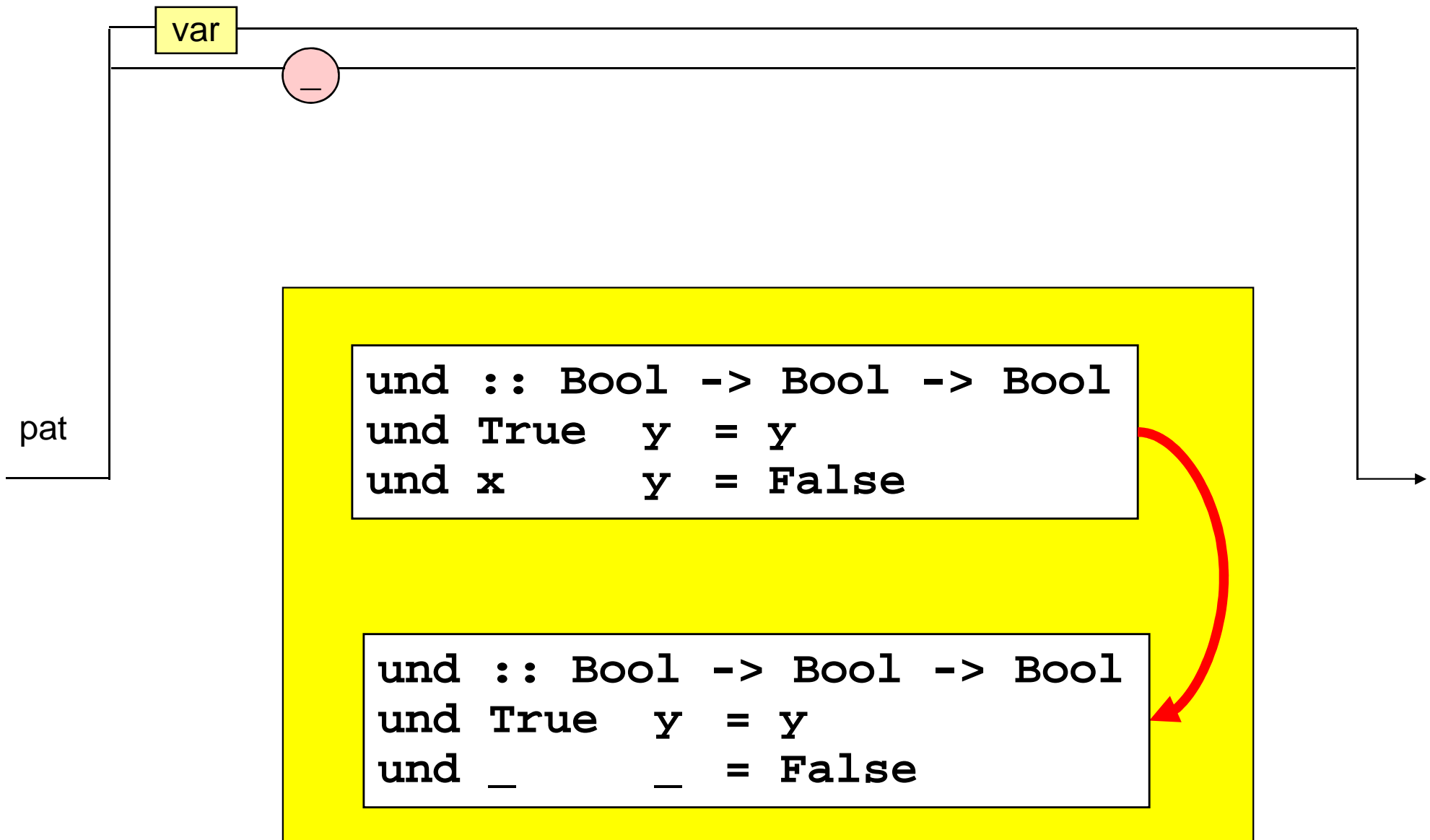
Liste = "[]" |
Element ":" Liste

```
app :: [Int] -> [Int] -> [Int]
app [] ys = ys
app (x : xs) ys = x : app xs ys
```

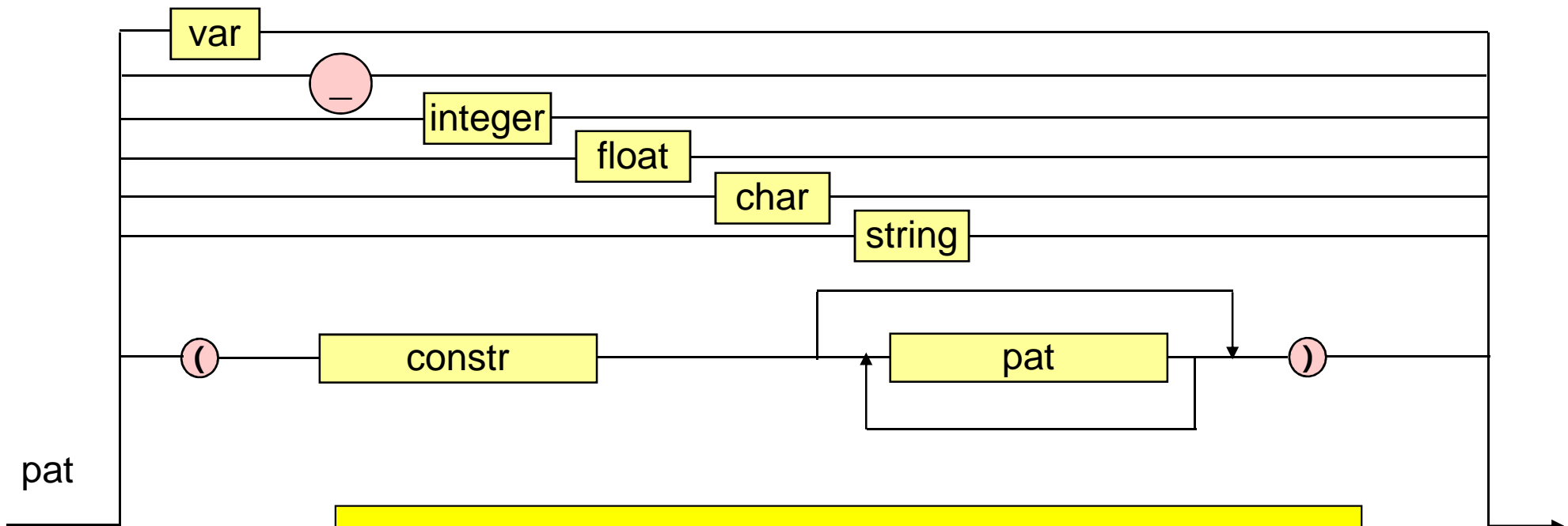
```
equal :: [Int] -> [Int] -> Bool
equal xs xs = True
equal xs (x : xs) = False
```

Nicht erlaubt!
Linke Seiten müssen
linear sein

Muster (Patterns)



Muster (Patterns)



```
und :: Bool -> Bool -> Bool
und True  y  = y
und _    _  = False
```

```
len :: [Int] -> Int
len []      = 0
len (x : xs) = 1 + len xs
```

Muster (Patterns)

```
has_length_three :: [Int] -> Bool
has_length_three [x,y,z] = True
has_length_three _      = False
```

```
maxi :: (Int, Int) -> Int
maxi (0, y)      = y
maxi (x, 0)      = x
maxi (x, y)      = 1 + maxi (x-1, y-1)
```

