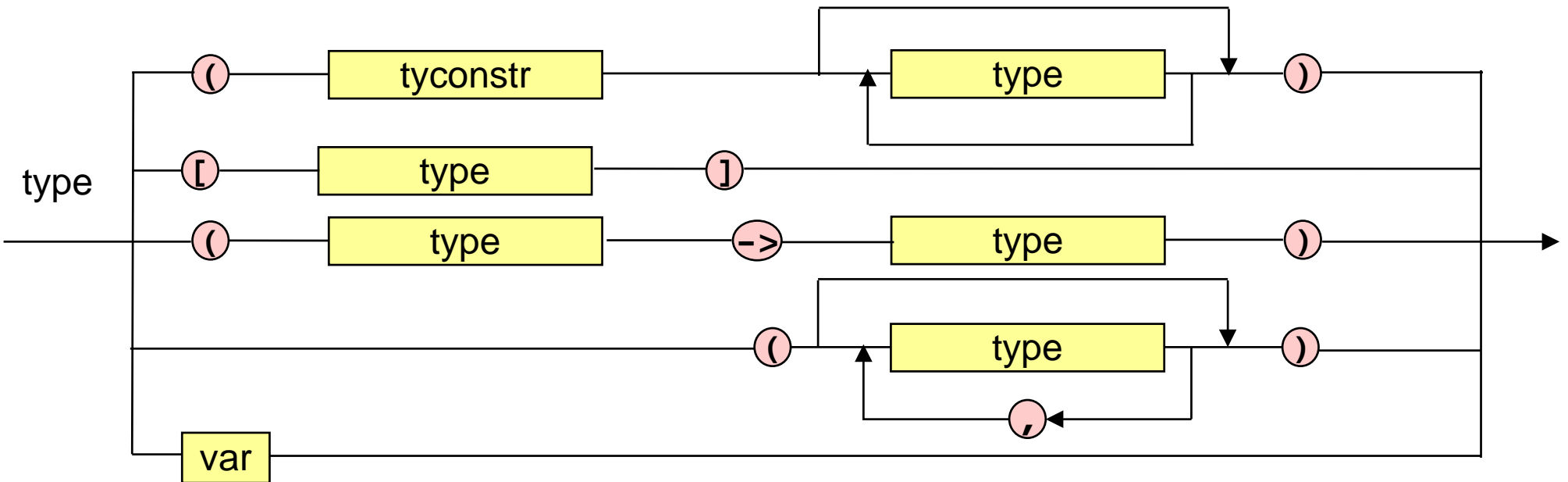

III. Funktionale Programmierung

- 1. Prinzipien der funktionalen Programmierung
- 2. Deklarationen
- 3. Ausdrücke
- 4. Muster (Patterns)
- 5. Typen und Datenstrukturen
- 6. Funktionale Programmieretechniken

Typen



Parametrische Polymorphie

```
len :: [Bool] -> Int
len []      = 0
len (x : xs) = 1 + len xs
```

```
len :: [Int] -> Int
len []      = 0
len (x : xs) = 1 + len xs
```

stattdessen

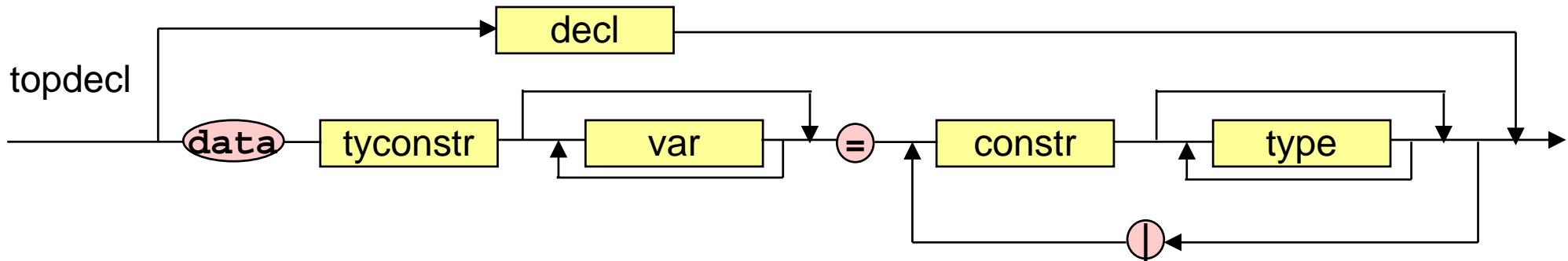


```
len :: [a] -> Int
len []      = 0
len (x : xs) = 1 + len xs
```

```
ident :: a -> a
ident x = x
```

```
app :: [a] -> [a] -> [a]
app []      ys = ys
app (x : xs) ys = x : app xs ys
```

Deklaration neuer Datentypen

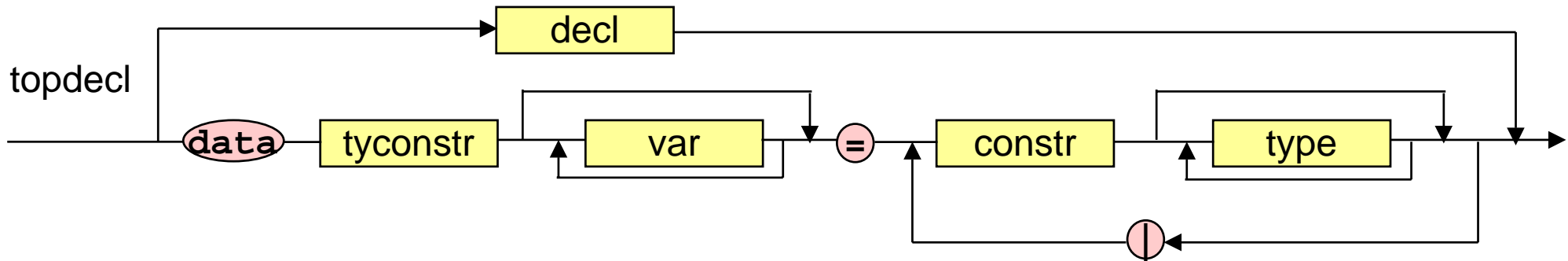


```
data Color = Red | Yellow | Green deriving Show
data MyBool = Wahr | Falsch deriving Show
```

```
ampel :: Color -> Color
ampel Red = Green
ampel Green = Yellow
ampel _ = Red
```

```
und :: MyBool -> MyBool -> MyBool
und Wahr y = y
und _ _ = Falsch
```

Deklaration neuer Datentypen

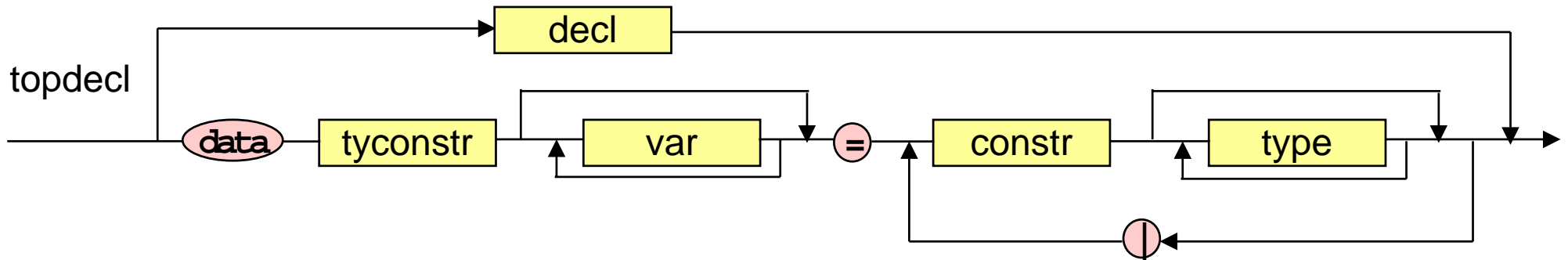


```
data Nats = Zero | Succ Nats deriving Show
```

```
plus :: Nats -> Nats -> Nats
plus Zero      y      = y
plus (Succ x)  y      = Succ (plus x y)
```

```
half :: Nats -> Nats
half Zero = Zero
half (Succ Zero) = Zero
half (Succ (Succ x)) = Succ (half x)
```

Deklaration neuer Datentypen



```
data List a = Nil | Cons a (List a) deriving Show
```

```
len :: List a -> Int
len Nil          = 0
len (Cons x xs) = 1 + len xs
```

```
app :: List a -> List a -> List a
app Nil          ys    = ys
app (Cons x xs) ys    = Cons x (app xs ys)
```